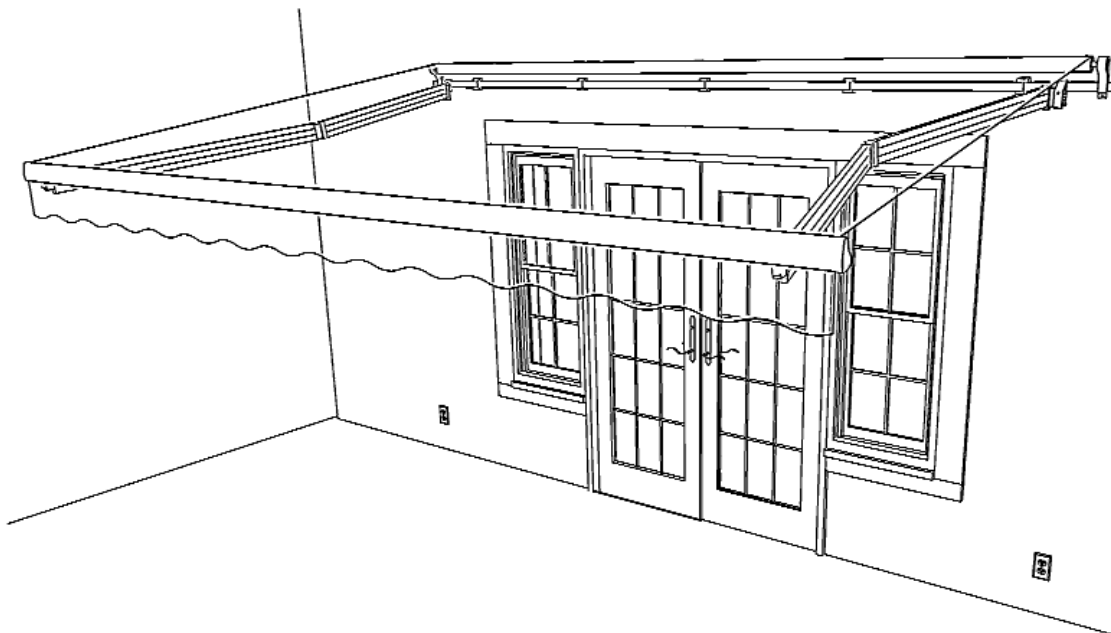




SC1000 Unit

Installation Instructions



BEFORE YOU BEGIN, PLEASE READ THESE INSTRUCTIONS FULLY AND COMPLETELY!



AN AWNING INSTALLATION IS A HOME IMPROVEMENT PROJECT REQUIRING STRICT ADHERENCE TO THE ENCLOSED INSTRUCTIONS AND WARNINGS. IF AFTER READING THE INSTRUCTIONS, YOU HAVE ANY QUESTIONS, OR DO NOT POSSESS A FULL UNDERSTANDING OF THE TECHNIQUE AND/OR ABILITY REQUIRED TO SAFELY INSTALL AND OPERATE YOUR AWNING, DO NOT PROCEED.

**IF YOU HAVE ANY QUESTIONS, PROBLEMS OR NEED ADDITIONAL PARTS,
PLEASE CONTACT OUR CUSTOMER SERVICE DEPARTMENT AT:
customerservice@diyretractableawning.com
or by phone at 888.647.4233**



WARNING: ALWAYS CLOSE the awning during high or gusting winds, rain and when not in use. Failure to do so may result in personal injury, property damage, or even death.

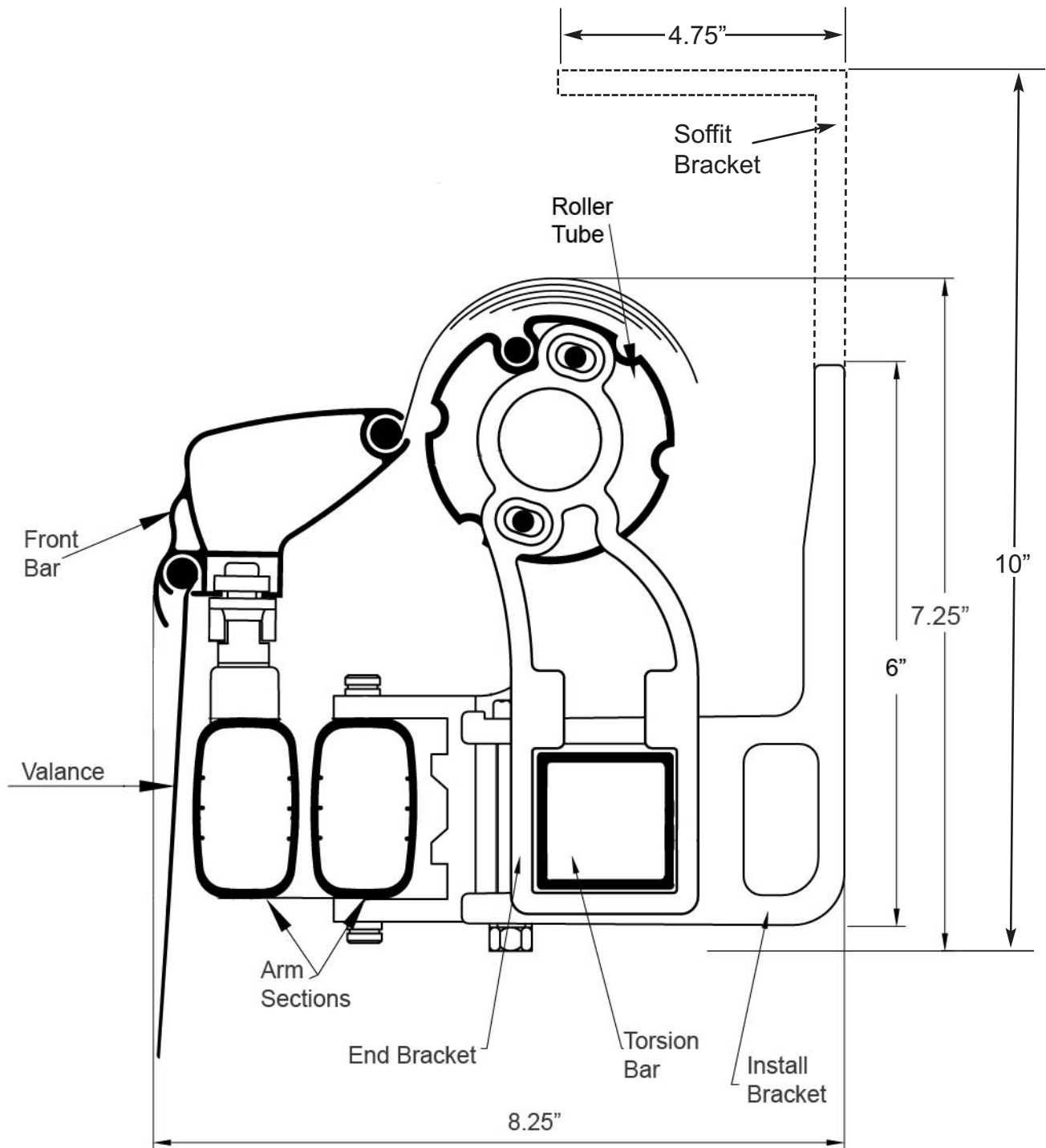
WARNING: Extension arms are under high tension and can cause serious damage or injury if disassembled or repaired improperly. **NEVER LAY, SIT, STAND OR PLACE ANYTHING HEAVY ON THE AWNING!**

YOU ARE INSTALLING YOUR AWNING AT YOUR RISK. DIY AWNINGS, LLC SHALL NOT be liable for any damages whatsoever, and in particular DIY AWNINGS, LLC shall not be liable for any special, indirect, consequential, or incidental damages, or damages for lost profits, loss of revenue, or loss of use, **PERSONAL INJURY OR PROPERTY DAMAGE** arising out of or related to the **INSTALLATION OF YOUR AWNING OR RELATED COMPONENTS**, whether such damages arise in contract, negligence, tort, under statute, in equity, at law, or otherwise, even if DIY AWNINGS, LLC has been advised of the possibility of such damages.



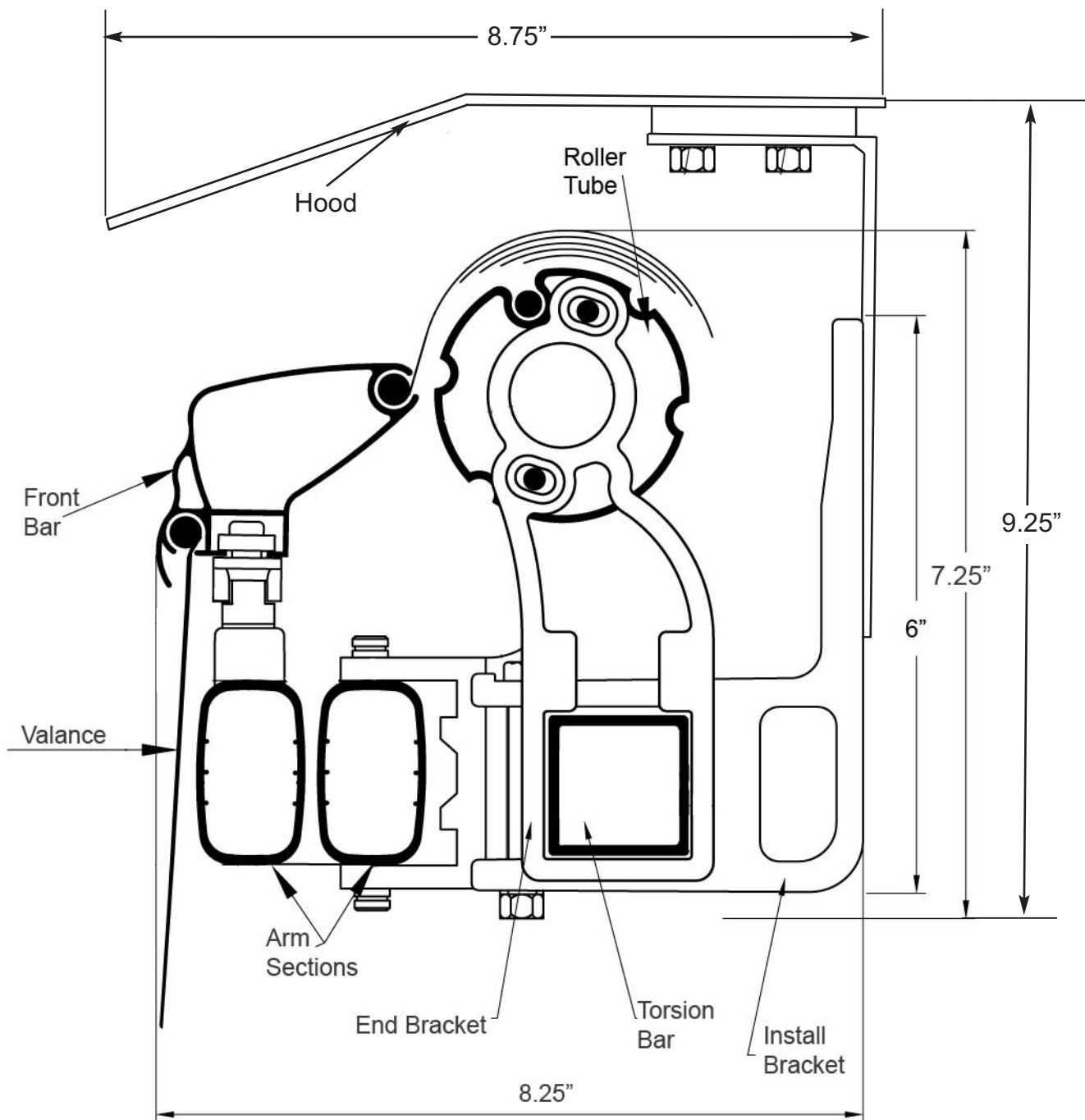
SC1000 Unit

Side View, Wall or Soffit Mount - No Hood





SC1000 Unit Side View, With Hood





SC1000 Unit Product Notes

Fabric:
100% US Woven Acrylic Fabrics

Warranty (non prorated):
3 years on the frame hardware
5 years on the fabric cover
5 years on optional motor and electronics

Arm Tension System:
Twin Stainless Steel Arm Cables
Single internal steel spring

Frame Color Options (wet paint - no warranty):
White

Available In 3 Widths (actual):
12' (11'11")
16' (15'8")
20' (19'5")

Unit Projection:
10'2"

Roller Tube:
70mm Steel

Crank Handle:
4'7"

Torsion Bar:
40mm Aluminum

Mounting options:
Wall
Roof
Soffit

Arm Count:
12' & 16' wide - 2 arms
20' wide - 3 arms

Bracket Count:
12' & 16' wide - 4 brackets
20' wide - 6 brackets

Center Support:
20' wide unit only

Optional Motor:
SIMU radio override motor
with 18' plug-in cord

Transmitter:
SIMU

Optional Hood (aluminum):
White



SC1000 Unit Installation Instructions

ATTENTION!!

Please be sure all nuts, bolts and screws on the awning are thoroughly tightened prior to installation, as they may have loosen during transportation.

IMPORTANT!!

Failure to follow these instructions may result in personal injury.

Check your shipment to confirm that all components have been received. Inspect to insure that the location at which the retractable awning is to be installed is free from any interference such as vents, lights, downspouts, trim, etc.

There must be a minimum of 8" to 9½" of vertical clear space on the surface on which you plan to mount the awning (refer to unit drawings for exact space requirements).

Determine the ground clearance from under the front bar. On a private residence, this should be at least 7 feet. On a commercial building, it should be a minimum of 8 feet. A 3/12 pitch (awning angle) is suggested (3 inches of drop for every foot of projection).

Wind has the greatest impact on the installation of the awning. Even moderate winds can put great stress on the brackets and their installation. Therefore, the proper installation of the mounting brackets is the most important aspect of the awning mounting.

All brackets must be in line and level in order for the unit to fit freely in the them. In order to ensure brackets are level on wall or siding, shims may be required.

First, locate where brackets are to be mounted to wall. This is done by placing the awning next to the designated wall. The brackets will have to be spaced out properly as determined by the wall studs. Wall brackets should be firmly attached to all studs or other internal structural supports.

Brackets cannot to be mounted where the arms of the awning or the end brackets or center supports attach to the torsion bar. An installation bracket on each side should be located between the end bracket and the arm whenever possible. If this bracket placement is not possible, be sure to mount a bracket within 8 inches from the arm attachment towards the center of the awning. Remaining brackets should be mounted evenly between the two outer brackets.



SC1000 Unit

Installation Instructions

Suggested Tools:

- 2 Ladders, type based on mounting height
- 3/8in. Variable Speed Drill or Cordless
- Long Level (2 to 3ft.)
- Small Level (Bullet) for Leveling Brackets on Wall
- Piece of String Line 50 ft. with Line Level
- Small Drill Bit 6 in. x 1/8 in. Pilot Bit (for probing)
- 5/16 in. Drill Bit (for pre-drilling for 3/8 in. lag bolts)
- If mounting into concrete* - Hammer Drill
- Plastic Hammer
- Miscellaneous Screw Drivers (Standard and Phillips)
- 3/8in. Ratchet Set (US and Metric) 1/2in., 13mm, 17mm, 10mm, 11mm
- Extension for Ratchet Set, and a Deep Socket 13mm
- Razor Knife
- Open End Wrenches (same size as sockets above)
- Measuring Tape 25ft. and 30ft.
- Pencil
- Allen Wrench Set (US and Metric)
- Silicone Caulk & Caulking Gun (to match the siding)

Pitch Adjustment

The SC1000 shipped with the pitch set between 10° and 15°. Maximum pitch on this unit is approximately 20°. To make further adjustments do the following:

1. Extend the awning fully and loosen the three 17mm lock nuts on the upper arm shoulder.
2. Relieve pressure on the shoulder by supporting the arm (slightly lifting up on the arm).
3. Turn the 8mm set screw on the front of the shoulder counter-clockwise to lower the pitch and clockwise to raise the pitch.
4. After repeating the process on the other arms, use a level at the front bar
5. Retighten the three 17mm lock nuts on each arm and check level again.

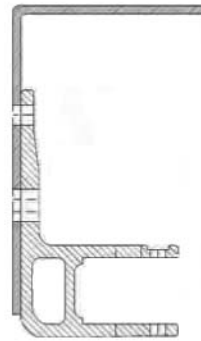




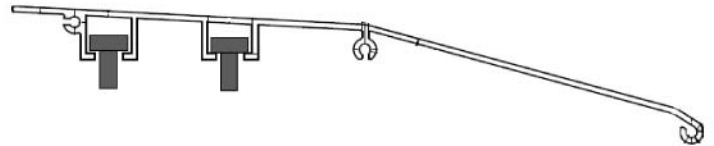
SC1000 Unit Installation Instructions

Hood Installation

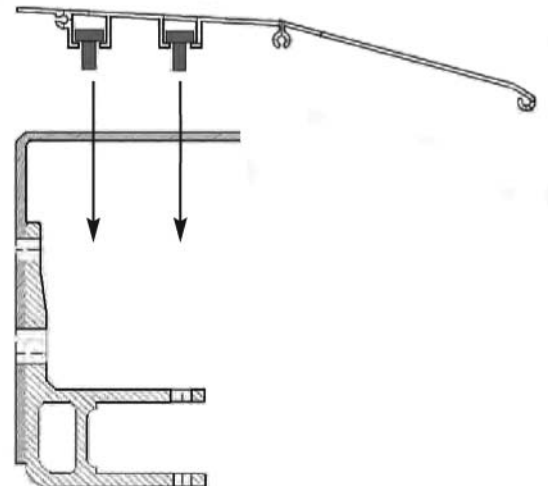
Installation of hood is best performed prior to the awning being installed into the wall brackets. Position the hood adaptor behind the wall bracket and mount both items to the wall as shown.



Insert provided bolts into both raceways on the underside of the hood. Position bolts where they will align with the mounting hole in the top of the bracket.



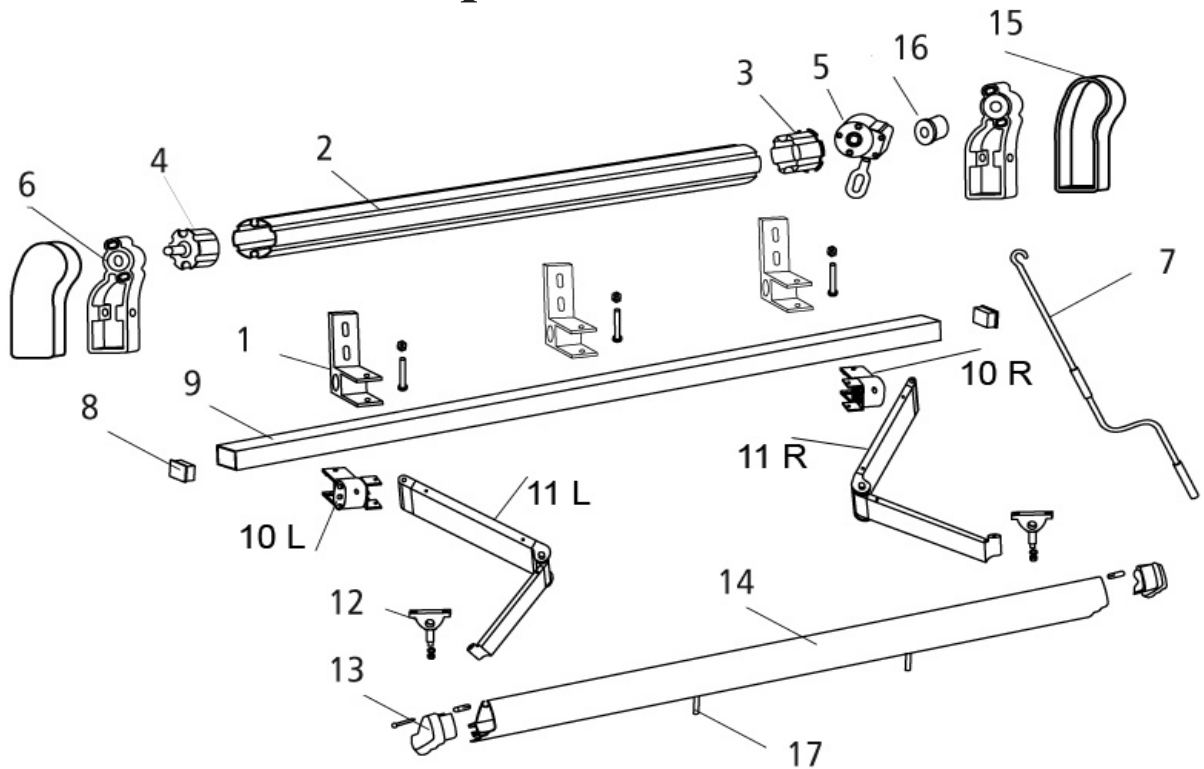
Sit hood down onto adapters with bolts fitting into the adaptor brackets. Install washer and nut to bolt and tighten securely.



Proceed with mounting awning into brackets. Once centered beneath hood, install hood end covers to the hood with the provided screws.



SC1000 Unit Exploded View



Item #	Description	Part Number	Item #	Description	Part Number
1	Wall Install Bracket	SHA0001__	12	Arm Wrist	SHA0012__
2	Roller Tube	SHA0002	13	Front Bar End Cap (Set)	SHA0013__
3	Drive End Gudgeon	SHA0003__	14	Front Bar	SHA0014__*
4	Pivot End Gudgeon	SHA0004__	15	End Bracket Cover (Set)	SHA0015__
5	Gear	SHA0005__	16	Gear End Bearing	SHA0016
6	End Bracket	SHA0006__	17	Arm Catch Pins	SHA0017
7	Gear Crank Handle	SHA0007__	18	Center Support (not shown)	SHA0018__
8	Torsion Bar End Cap (Set)	SHA0008__	19	Motor Complete (not shown)	SHA0019
9	Torsion Bar	SHA0009__*	20	Motor Transmitter (not shown)	SHA0021
10 L	Left Arm Shoulder	SHA010L__	21	Soffit Install Bracket (not shown)	SHA0020
10 R	Right Arm Shoulder	SHA010R__	22	Hood Side Cover (set - not shown)	SHA0022__
11 L	Left Arm	SHA011L__	23	Hood Bracket (not shown)	SHA0023__
11 R	Right Arm	SHA011R__	24	Hood Extrusion (not shown)	SHA0024__*

Notes:

“__” indicate hardware color: W = white, “S” = sand

“*” “ Indicate unit wide 1 = 16’, 2 = 16’, 3 = 20’



DIY AWNINGS LLC LIMITED WARRANTY

DIYAWNINGS, LCC (AKA) DIYAWNINGS.US warrants the awning frame work, awning frame finish, fabric covers, motors and electronics, if so equipped, to be free from defects in materials and workmanship under normal and proper use for the following duration, all commencing from the date of sale:

FRAMEWOR :

The awning's aluminum framework is warranted against material failure due to quality and workmanship.

SC1000 models: For a period of three (3) years

SC4000 models: For a period of five (5) years

SC5000 models: For a period of seven (7) years

FRAMEWOR FINISH (POWDER COATING):

The framework finish is warranted against fading, blistering, peeling, or delaminating from the aluminum framework.

SC1000 models: No warranty

SC4000 models: For a period of three (3) years

SC5000 models: For a period of five (5) years

FABRIC COVERS AND FABRIC SEAMS:

Awning fabric cover, sewing and seams are warranted against excessive loss of color or strength from normal exposure to sunlight and atmospheric chemicals.

SC1000 and SC4000 models: For a period of five (5) years

SC5000 models: For a period of ten (10) years

Exceptions to this fabric warranty are as follows:

- I. The formation and presence of mold and/or mildew are not covered under the terms of this warranty. Mold and mildew will not grow on a man made fiber (acrylic) unless there is an organic matter (dirt) for the mold or mildew to grow on. Reasonable care should be taken to clean the fabric cover of any surface dirt or other organic matter to prevent the formation of mold and/or mildew.
- II. Waffling or puckering of the fabric around or near a fabric seam may occur anytime during the life of your product. This occurrence does not affect the performance of the fabric and is not considered a product flaw or defect.
- III. The inevitable discoloration, scarring or premature wear of the fabric on units equipped with a center support – any SC5000 model over 20'0" wide. It is understood, by acceptance of this warranty, not to be covered under the terms of this warranty. Center supports come in direct contact with the fabric and they are known and accepted to cause any and/or all of the above-mentioned symptoms.

MOTORS:

The optional motor, if so equipped, is warranted for a period of (5) five years on all models. Although the motors used in our products are rated for outdoor use, adequate steps must be taken to protect them from rain, sleet etc. Motor damage due to water infiltration is not covered under this warranty.

ELECTRONICS:

Electronic accessories are warranted for a period of (5) five years for all models. In addition, it is understood, by acceptance of this warranty, that optional electronic accessories purchased to help protect the value of your awning (i.e. wind sensors, sun/wind sensors, etc.), are not sold as a guarantee, but as an added level of protection to guard your awning from damage associated with acts of nature. Reasonable care and use of your awning is the responsibility of the owner and should not be entrusted to electronic devices.

Any defects in the awning must be reported within the warranty period listed above. Under this warranty, DIY AWNING, LLC reserves the right to repair or replace those parts that have been returned or are deemed defective. If any item is replaced due to a warranty claim, the warranty is not extended on the replaced item, but rather applies to the original warranty period. This warranty is non-transferable.

This limited warranty does not cover defects caused by faulty installation, reinstallation, or service by the homeowners or any other entity. DIYAWNINGS, LLC is not responsible for normal wear and tear, damage caused by misuse, vandalism and acts of nature such as, but not limited to, hurricanes, tornadoes, wind, hail, flooding, fire, snow loads, rain or rain accumulation.

Labor cost for the removal and reinstallation of awning parts is not covered by this warranty and is the responsibility of the home owner. Any defective part must be returned to DIYAWNINGS, LLC.

DIYAWNINGS, LLC shall not be liable for any incidental or consequential damages, loss or injury. This warranty gives you specific legal rights, but you may also have additional or other rights, which may vary from state to state.

PRODUCT USE – DO’S AND DON’TS

Your awning is designed for sun protection and may occasionally be used during light rain when supervised. If using your awning while raining, make sure that the water is not pooling on the fabric. If this occurs, retract the awning. Damage caused by accumulation of water on the cover is not covered by the warranty.

DO NOT leave the awning extended when not home. Damage caused by strong wind is not covered by the warranty

DO NOT hang plants or small children off the front bar

DO NOT barbeque under the awning

DO retract the unit when not in use or if severe weather is predicted

DO occasionally clean your awning as described in the care and maintenance section

DO retract your motorized awning with the manual override feature if you lose power

INSTALLATION TROUBLESHOOTING:

Issue: The awning has a knocking or cracking noise when extending or retracting

Solution: The awning brackets have not been tightened completely. Be sure the square torsion bar is completely seated in the back of the mounting bracket and tighten the mounting bolt until the locking lip on the inside of the mounting bracket is drawn down over the torsion bar.

Issue: The fabric sags and is not tight

Solution: The arms are locked out (over extended) causing the fabric to sag. Reverse cranking direction and retract the awning in until the fabric is taut. Important: The fabric should always rollover the top of the roller tube, not from underneath.

Issue: The motorized awning stopped working while you were rolling in and out

Solution: Your awning motor has a built-in thermal override to prevent overheating. Prolonged use, in and out several times in a row can cause the motor to temporarily shut down. Allow 10 to 15 minutes for the motor to cool down and try the remote again, the unit should begin to operate again.



customerservice@diyretractableawning.com
or by phone at 888.647.4233
(M to F 8am to 5pm Eastern)

